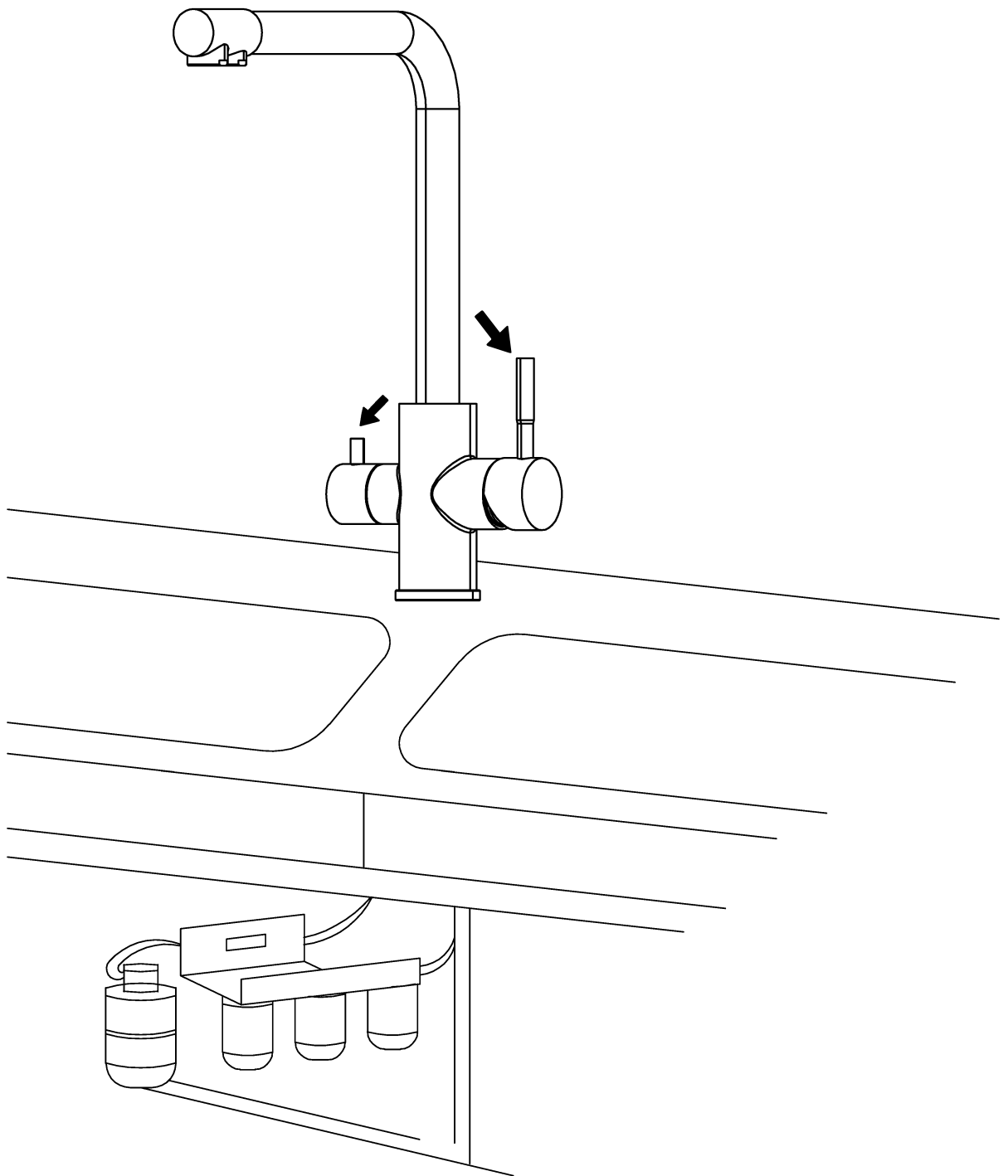


Spring Type 3 Way Faucet

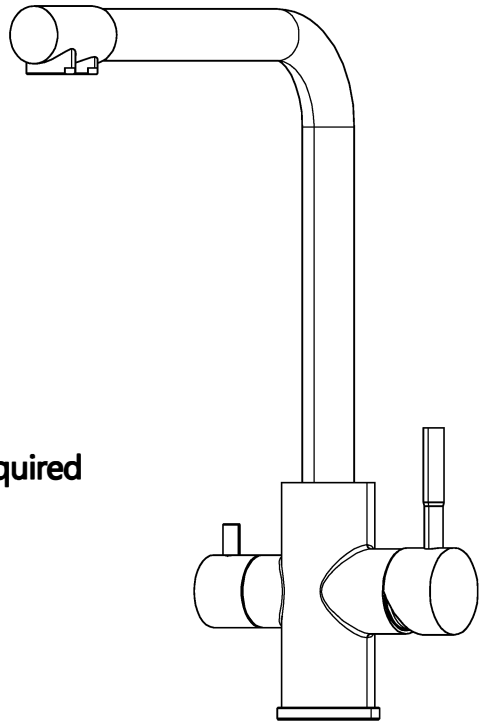


Installation Instruction

Spring Type 3 Way Faucet

● Specification

- 1' Surface treatment : Chrome
- 2' Ceramic valve cartridge
- 3' Flow rated : 2.2G/M base on 0.5Mpa
- 4' 1/4 connector for filtered water pipe
- 5' G-3/8 or G-1/2 hose pipe connector as required



● Installing Tools

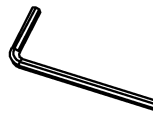
- 1' Monkey wrench
- 2' Pipe tape
- 3' Allen wrench (2.5mm)



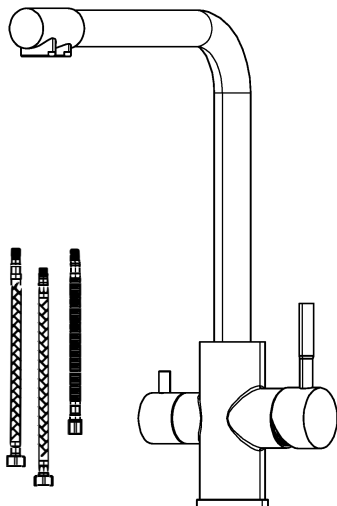
Monkey wrench



Pipe tape



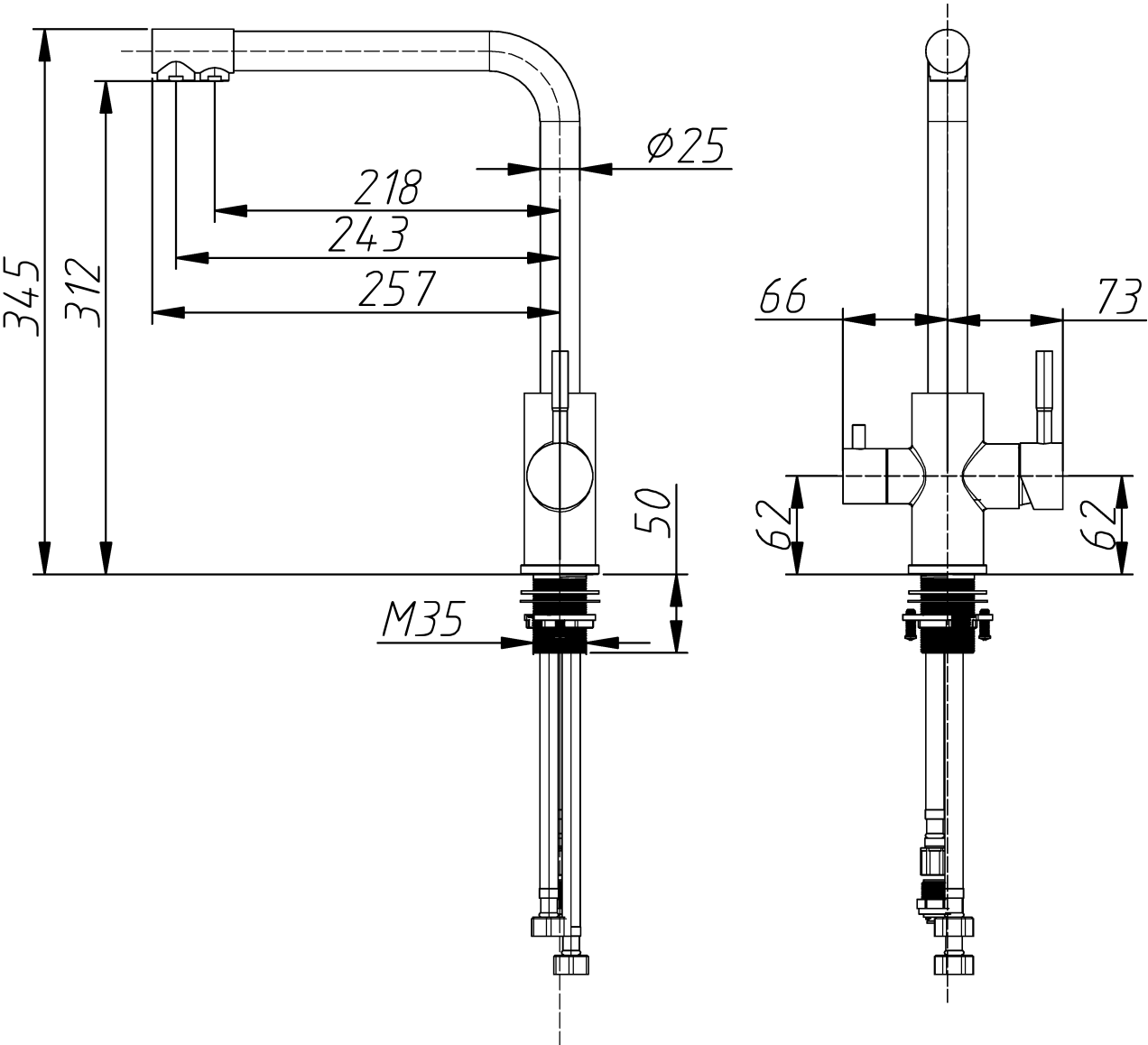
Allen wrench (2.5mm)



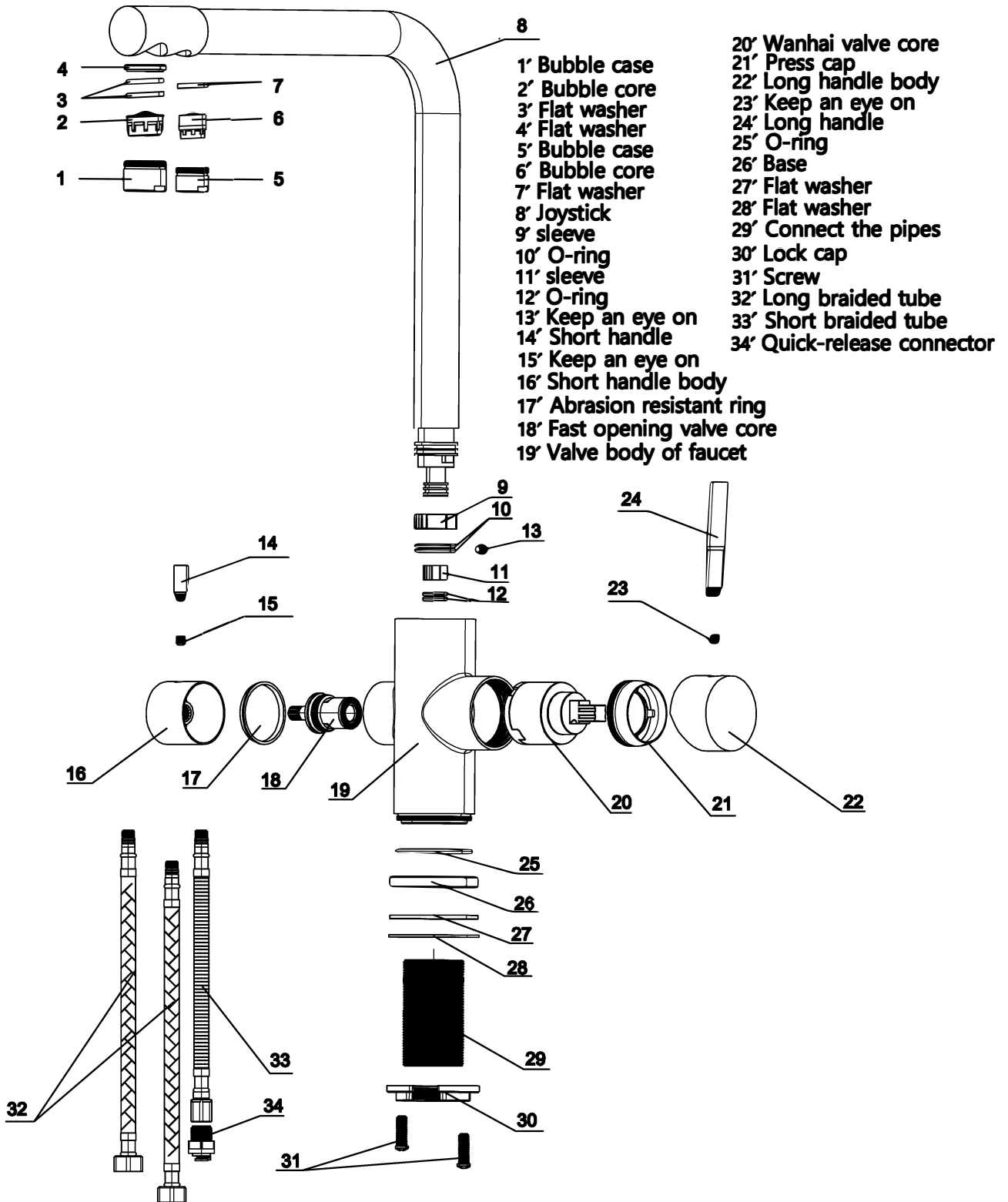
● Accessories

- 1' 2Pcs hot & cold hose (may be not included)
- 2' 1Pc quick connector for filter water hose
- 3' 1Pc rubber gasket
- 4' 1Pc locked set

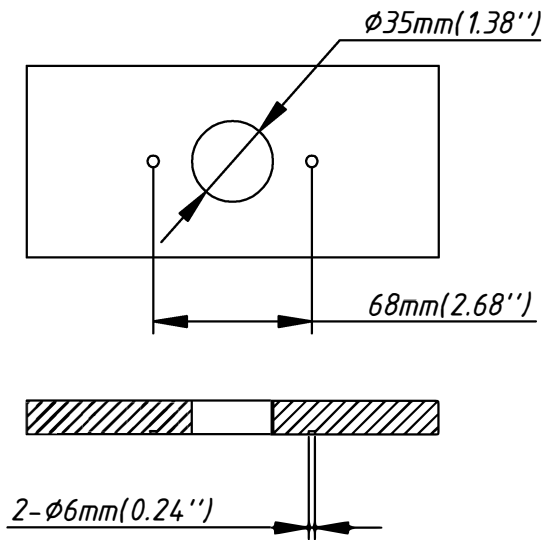
Profile Drawing



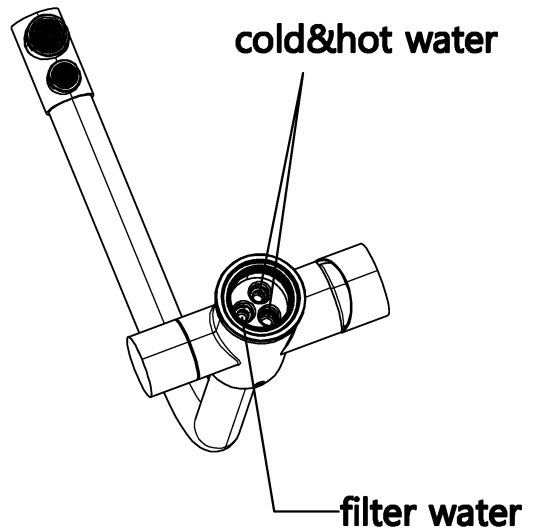
Replacement Parts



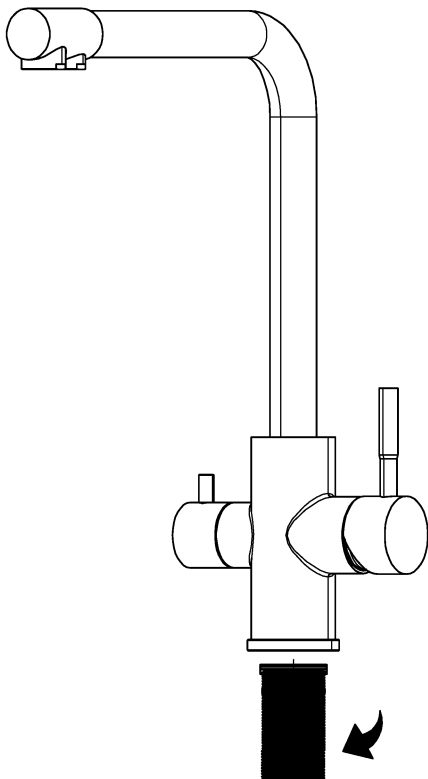
Faucet Installation Procedures



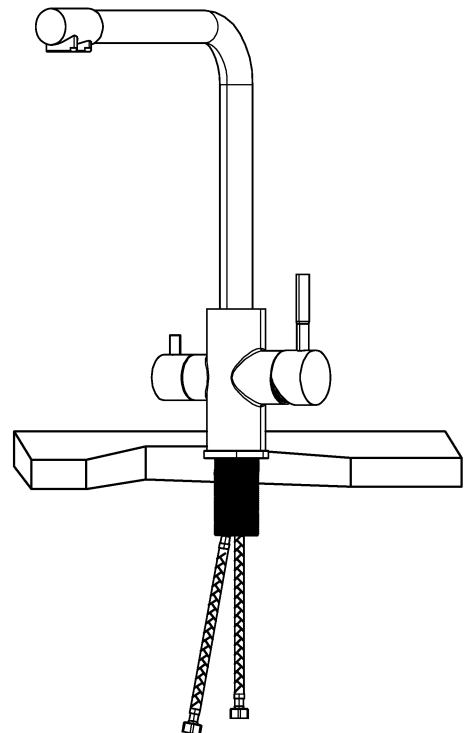
STEP 1: Please check cold&hot water and filter water channel first



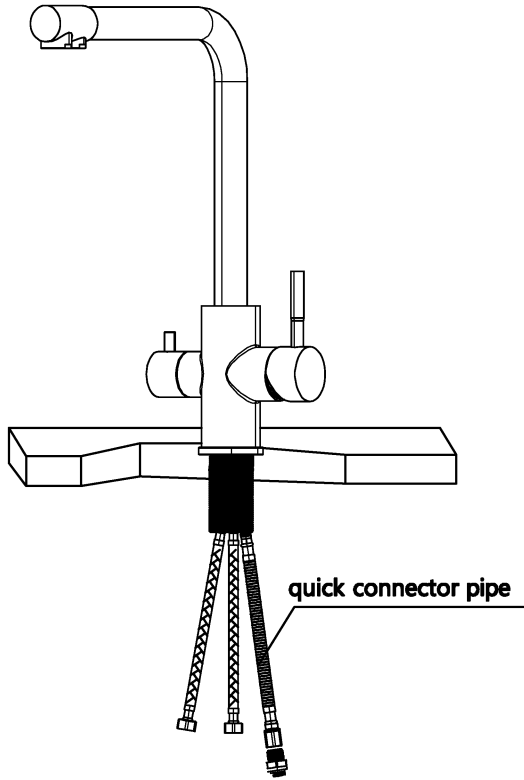
STEP 2: fixed lock bolt



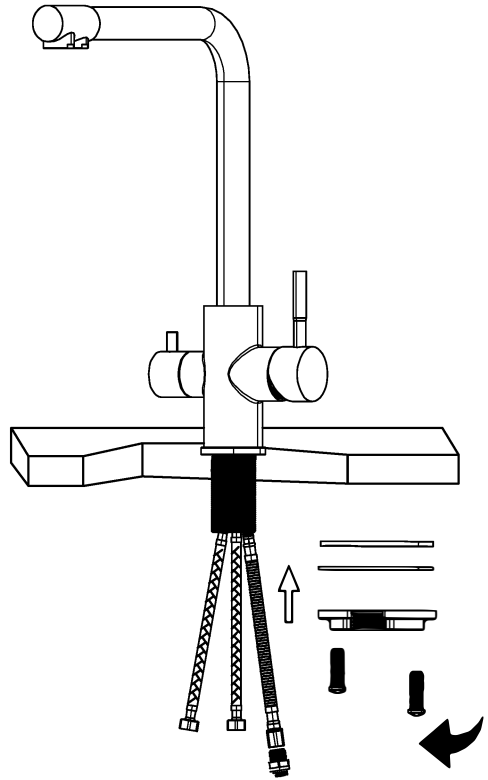
STEP 3: installing cold&hot water hose



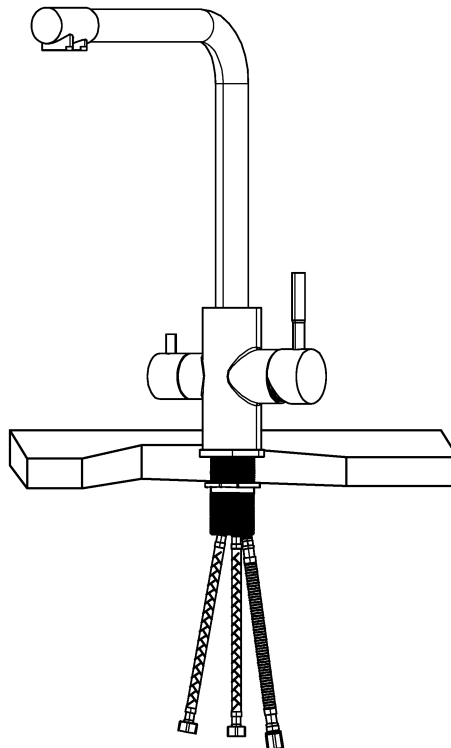
STEP 4: installing filter water quick connector pipe



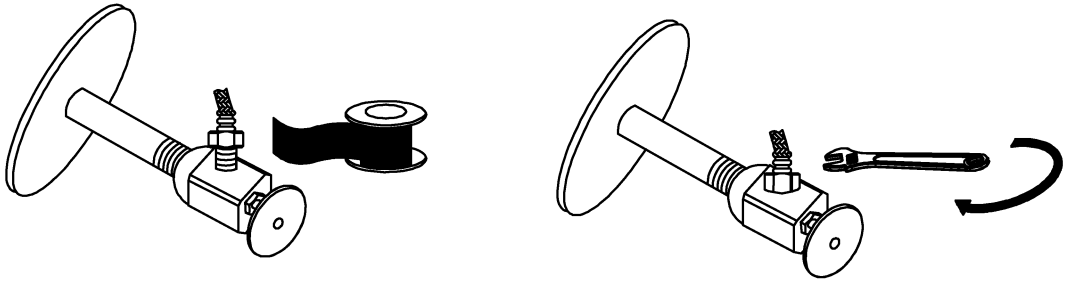
STEP 5: fastened faucet by lock nut



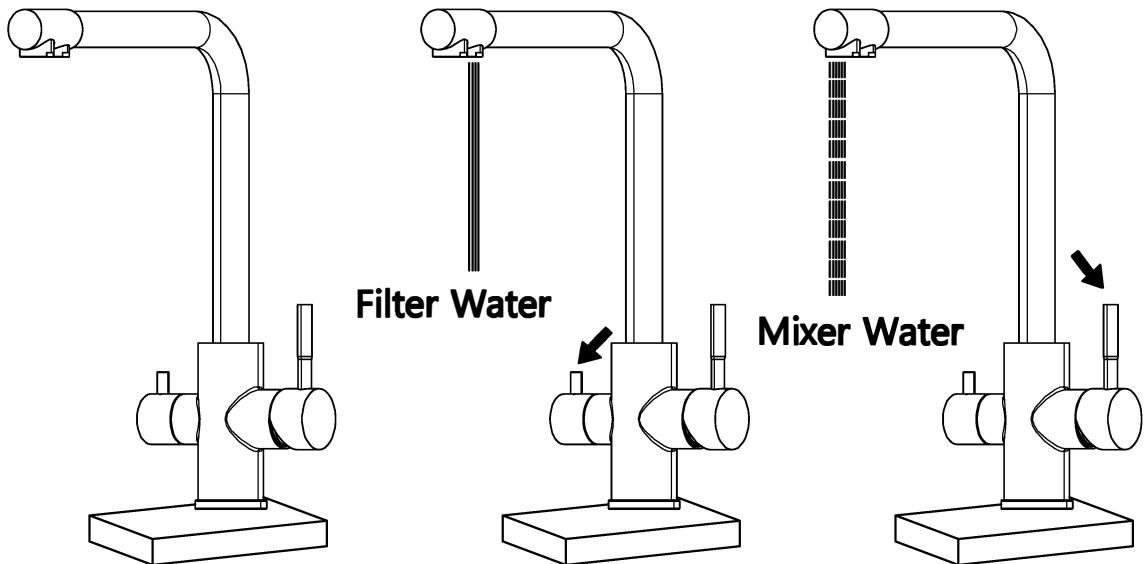
STEP 6:



STEP 7:



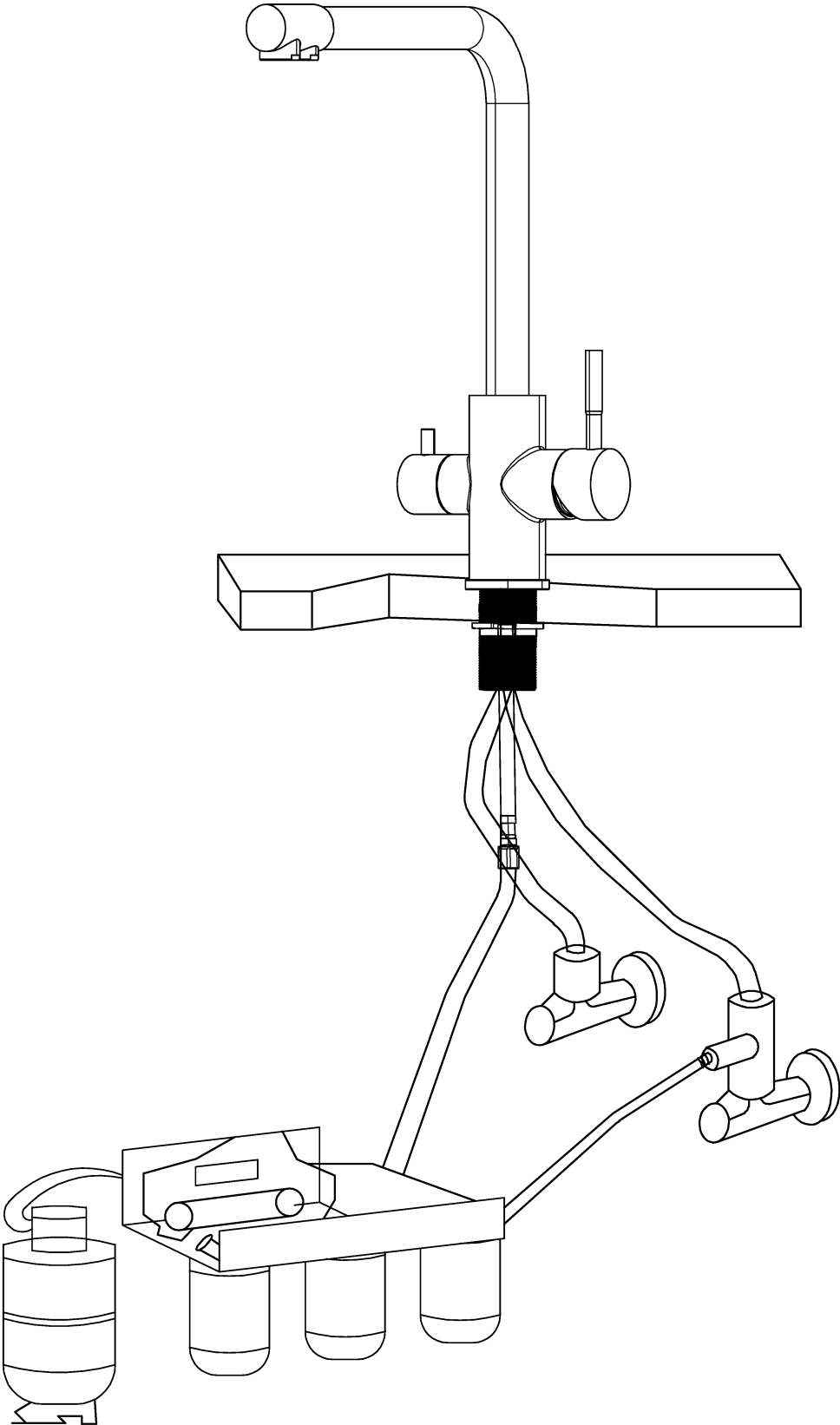
STEP 8:



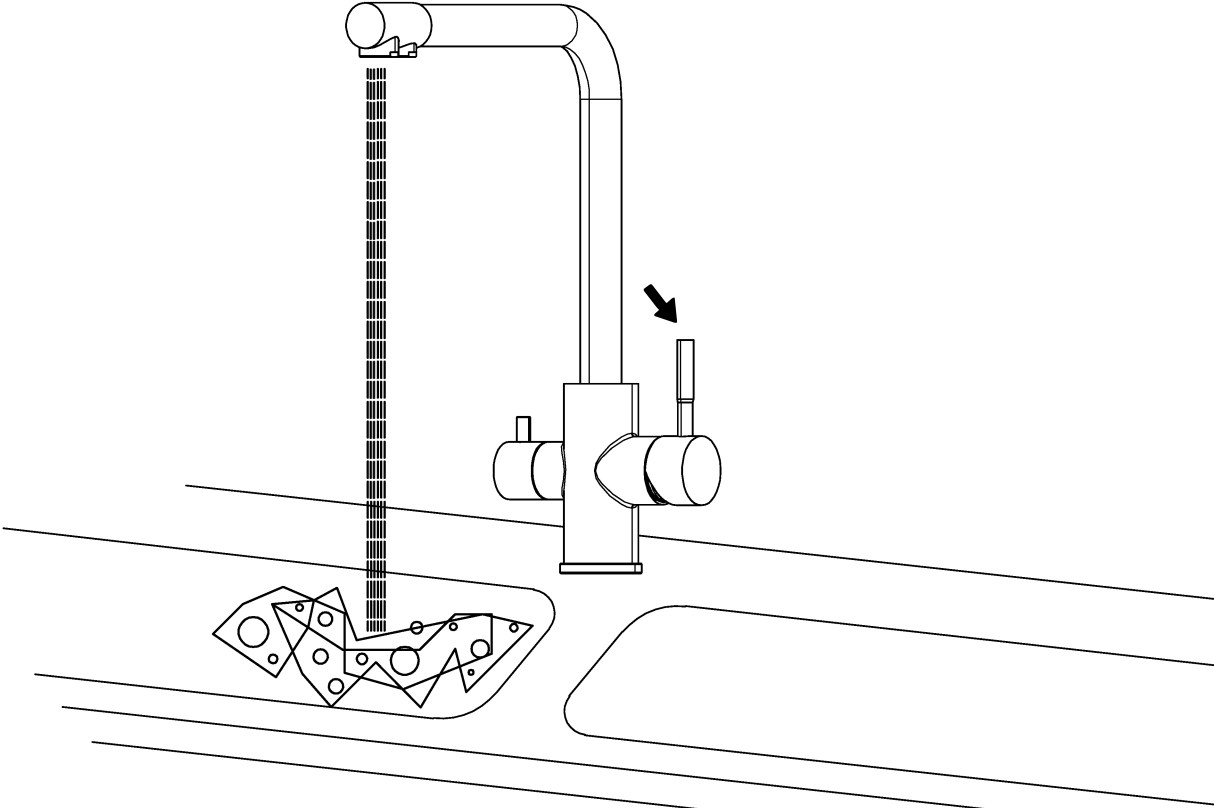
NOTIC:

Please removal all the sand,silt etc.anything may be block the cartridge before fixed to your kitchen counter up.
If the faucet cannot work, please send to a qualified person to repair it.

STEP 9:



STEP 10:



STEP 11:

