

# TITANIUM AZURE WATER SOFTENERS

## BEST IN CLASS

Titanium is a high flow rate monoblock water softener designed for households with high water consumption. With a capacity of up to 3.0 m<sup>3</sup>/h, it reliably softens water for families of up to 12 people.



**ECOLITE  
ULTRASOFT  
INSIDE**

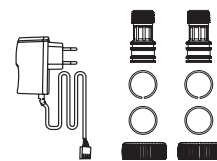
## KEY FEATURES

- High flow rate up to 3,0 m<sup>3</sup>/h\* thanks to uniform ECOLITE ULTRASOFT ion-exchange resin
- Reduces hardness and extends the life of household appliances
- Ideal for families with up to 12 members
- Trouble-free operation thanks to premium US components and featuring the Ecosoft CE valve

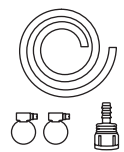
## COMPONENTS



Softener



Power adaptor  
Valve connection kit 3/4"  
Male BSPT



Drain & Overflow hoses  
Metal Clamps  
Drain Fitting



Built-in mixing  
valve



Siphon



Total hardness test

Control valve

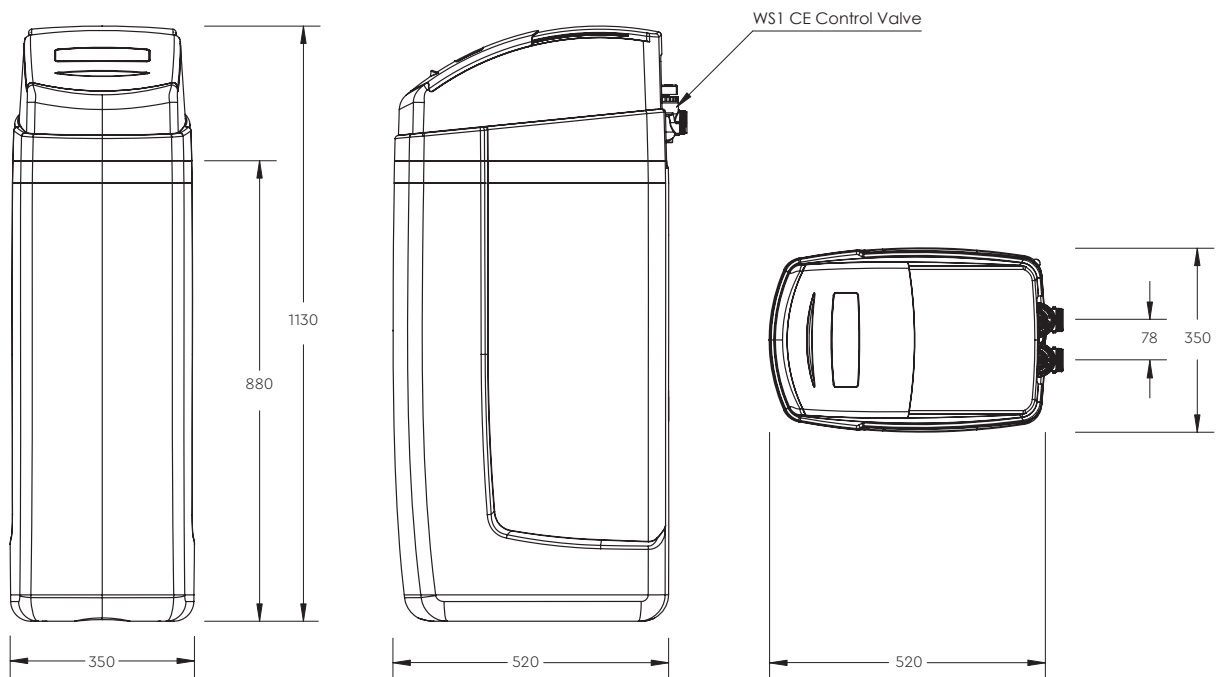
## Ecosoft CE

- Multilingual menu (EN, DE, FR, NL, IT, PL, UA)
- Auto settings
- Built-in mixing valve
- Able to add dealer information
- Screen backlight

### TITANIUM AZURE SOFTENERS

Code	Description	Resin, L	Pallet quantity, pcs
FU1035CABCEMVTA	Ecosoft Titanium 300 water softener 3rd generation	30	5

\* Feed water hardness of 250 ppm CaCO<sub>3</sub>



## TECHNICAL SPECIFICATION

Parameter	FU1035CABCEMVTA
Operating flow rate, m <sup>3</sup> /h	1.5 / 3.0
Quantity of resin, L	30
Volume capacity, m <sup>3</sup> 250 mg/L CaCO <sub>3</sub> influent harness	6
Usage of salt per regeneration, kg	3.0-4.2
Usage of water per regeneration (discharge per regeneration), m <sup>3</sup>	0.25
Duration of regeneration, minutes	80-110
Pressure drop in service mode, bar	0.5
Inlet pressure, bar	2-6
Electrical requirements	230 V, 50 Hz
Power consumption, W	30
Inlet/outlet pipe connections	1"
Dry weight, kg	30
Overall dimensions, (Width × Depth × Height), mm	350 × 520 × 1130

## INFLUENT WATER LIMITATIONS

Parameter	
Hardness	750 mg/L CaCO <sub>3</sub>
Iron	0.2 mg/L
Manganese	0.05 mg/L
Chemical Oxygen Demand	5 mg/L O <sub>2</sub>
Ammonium	4 mg/L
Sediment prefilter rating	100 μm
Temperature of water	+4...+30 °C