

ECOSOFT BASICMIX 1250

Water treatment for households, steam boilers and feed water for heating circuits, pharmaceutical production, food industry, chemical production, textile industry, drinking water bottling, agriculture, fish farms etc.

KEY FEATURES

- Basic set ready to work with Ecomix A plastic valve, top and bottom stacks distributors
- Automatic Clack CE control valve:
 - Regeneration control by water volume: delayed regen, immediate, both
 - Possibility to change the cycle of regeneration stages and their range of time
 - Multilanguage menu: English, German, French, Ukrainian
 - Different setting modes are available:
 - double valve twin or duplex configurations
 - multi-system mode, up to 8 system to the system controller
 - 2 external devices simultaneously can be connected



SET OF EQUIPMENT

WS1.25CE meter control valve assy (V125CEDME):

- WS1.25CE control valve
- Top stack distributor, 15 segments
- Connection kit 1.25"
- Power supply
- Injector
- DLFC
- Funnel
- Valve instruction manual, Instruction manual

Pressure tank assembly:

- Pressure tank CN-18×65 (top opening 4"-8-UN)
- Adaptor 4" - 2.5"
- Riser DN 32 mm
- Bottom stack distributor, 14 segments

Brine tank assembly

- Brine tank 24×50, 378 L
- Brine well assembly (brine valve, overflow set)
- Brine grid

Resin

- Type material — Ecomix A
- Volume material — 125 liters

TECHNICAL SPECIFICATION OF BASICMIX 1250

Parameters	
Maximum service flow rate	4.1 m ³ /h
Quantity of Ecomix	125 l
Volume capacity*	17.5 m ³
Usage of salt per regeneration	12.5 – 20.0 kg
Usage of water per regeneration (= discharge per regeneration)	1.05 – 1.3 m ³
Duration of regeneration	80 – 120 minutes
Operating pressure	2 – 6 bar
Inlet, outlet	1.25"
Drain	1"
Brine line	3/8"

Parameters	
Volume of pressure tank	257 l
Dome volume	20 l
Volume of brine tank	378 l
Dry system weight	43 kg
Electrical requirements	230 V, 50 Hz
Electrical power	30 W
Operating temperature	+4...+30 °C

ECOSOFT BASICMIX 1250

Code	Product	Volume Ecomix, L	Maximum service flow rate, m ³ /h**
FK1865CEMIXA125	Ecosoft BasicMix 1250 well water softener	125	4.1

* At a hardness of 250 ppm CaCO₃, the salt dose for regeneration is 100 g/l

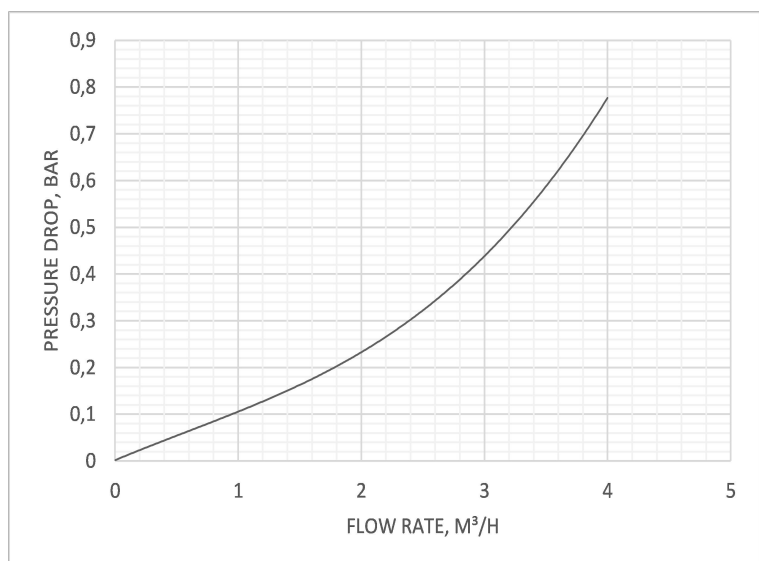
** With a linear filtration rate of 25 m/h

ACCESSORIES*

Code	Description
V3006	WS1 Bypass Assembly
V3009	WS1 Auxiliary Microswitch Assembly
V3070FM	Bypass shut-off valve during regeneration (no-Bypass valve) for 1" and 1.25" systems
V3069MM-01	Water Specialist 1" & 1.25" Motorized Alternating Valve
V3191-01	WS1 Bypass Vertical Adapter Assy

* Not included in the basic set.
Can installed as additional equipment

PRESSURE DROP vs FLOW RATE**



CONFIGURATIONS

DOUBLE VALVE TWIN



DOUBLE VALVE TWIN ASSEMBLY PARTS

1. FK1865CEMIXA125 — 2 pcs.
2. V3069MM-01 — 1 pcs.
3. V3191-01 — 4 pcs.

Single valve twin set may operate 2 units with alternative mode (the first unit in operation, the second — in regeneration or stand by) and can produce water during the day at constant flow rate.

KEY FEATURES

- Ensures stable water quality with constant flow
- User friendly installation
- Doesn't create hydraulic shocks

DUPLEX VALVE



DUPLEX VALVE ASSEMBLY PARTS

1. FK1865CEMIXA125 — 2 pcs.
2. V3070FM — 2 pcs.
3. V3009 — 2 pcs.
4. 1PROVODDUP — 2 pcs.
5. V3191-01 — 1 pcs.

Duplex valve set may operate 2 units parallel and can provide double flow rate during peak consumption.

KEY FEATURES

- Double flow rate for peak consumption
- User friendly installation
- Doesn't create hydraulic shocks

MULTI-SYSTEMS



SET FOR 2...8 UNITS WITH CLACK SYSTEM CONTROLLER

1. FK1865CEMIXA125 — 2...8 pcs.
2. WSSYSTCON2* — 1 pcs.
3. V3070FM — 2...8 pcs.

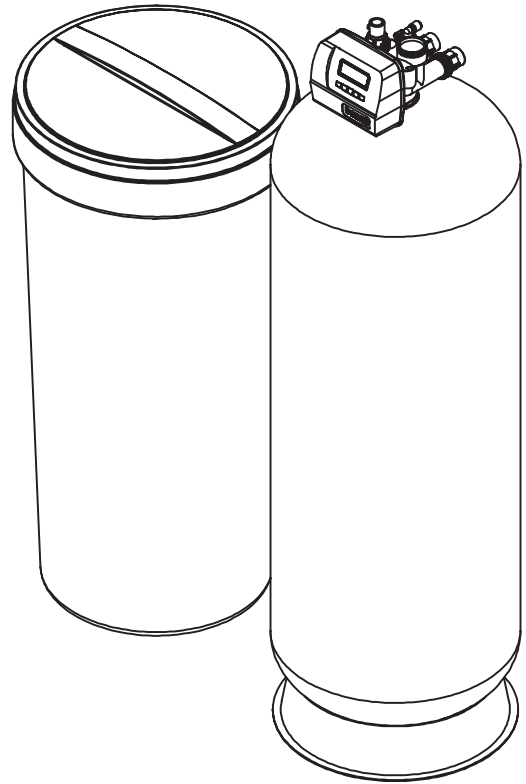
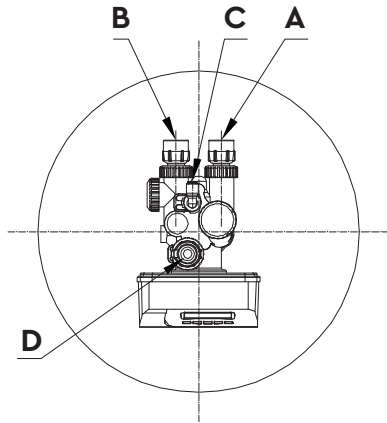
The Clack system controller may operate 2 – 8 units and has 4 operating modes that ensure efficient operation of the set for various needs.

KEY FEATURES

- System Controller may operate 2 — 8 units or be used as a water monitor only
- Clack WS1.0, WS1.25, WS1.5 or WS2 control valves may be used
- 4 available operating modes: Progressive flow, Alternator, Series, Random

WSSYSTCON2* — includes a kit for connecting 2 systems. The last number indicates the number of possible connected systems

CONNECTIONS



Marking	Nomenclature	Connection	Height
A	Inlet	PH G 1.25"	1780±30
B	Outlet	PH G 1.25"	1780±30
C	Brine line	PH G 3/8"	1870±30
D	Drain	PH G 1"	1950±30

DIMENSIONS OF SYSTEM

