

# ecosoft

## A-SOFT WATER SOFTENER FOR APARTMENTS

A-Soft is an ultra-compact water softener designed for apartments and space-limited installations. Installed under the sink or in technical cabinets, it delivers high flow performance and efficient operation despite its minimal footprint. Equipped with high performance Ecotile Ultrasoft resin and the Ecosoft DV valve, A-Soft ensures reliable softening for modern households



### KEY FEATURES

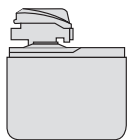
- High flow rate up to 2.5 m<sup>3</sup>/h\* thanks to uniform ECOLITE ULTRASOFT ion-exchange resin
- High volume capacity up to 2.4 m<sup>3</sup>\*
- Most compact 11 L water softener on the market
- Saves water – requires only 60 L of water for regeneration
- Smart overflow location saves installation space

Control valve

### ECOSOFT® DV

Compact Ecosoft DV disc valve is the most reliable on the market thanks to its diamondcoated ceramic-ceramic discs, which can be installed without an pre-filter

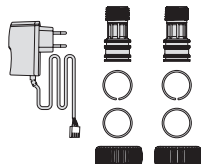
### COMPONENTS



Softener



Drain & Overflow hoses  
Metal Clamps  
Drain Fitting

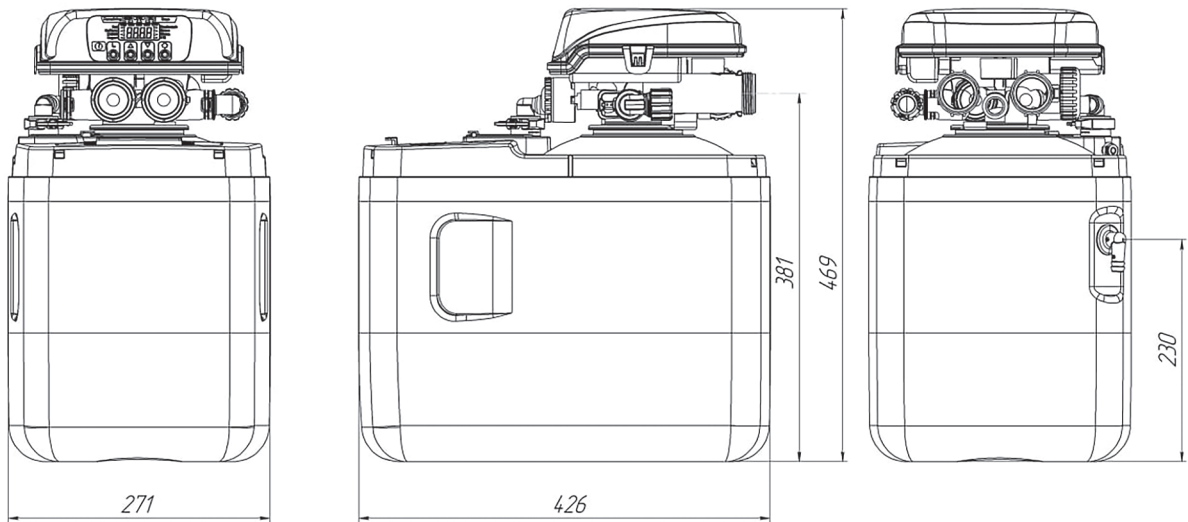


Power adaptor 12 V  
Valve connection kit, 3/4"  
Male BSPT thread

#### ECOSOFT A-SOFT WATER SOFTENER

Code	Description	Quantity of resin, L	Operating/maximum flow rate, m <sup>3</sup> /h	Dimensions, H x W x D, mm
FU1013CABDVAS	Ecosoft A-Soft 110 water softener	11	2.0 / 2.5	469 x 271 x 426

\* Feed water hardness of 250 ppm CaCO<sub>3</sub>



## TECHNICAL SPECIFICATION

Parameter	FU1013CABDV
Nominal/max flow rate, m <sup>3</sup> /h	2.0/2.5
Quantity of media, L	11
Volume capacity, m <sup>3</sup> 250/350/500 ppm CaCO <sub>3</sub> influent hardness	2.4/1.7/1.2
Usage of salt per regeneration, kg	1.2
Usage of water per regeneration (discharge per regeneration), L	60
Average mixing rates of the influent hardness, up to L	300
Duration of regeneration, minutes	47
Pressure drop in service mode, bar	0.5
Inlet pressure, bar	2-6
Electrical requirements	230 V, 50 Hz
Power consumption, W	30
Inlet/outlet pipe connections	3/4"
Salt storage capacity, kg	15
Gross/Nett weight, kg (+/- 1 kg)	16/15
Overall dimensions, (Height × Width × Depth), mm	469 × 271 × 426

## INFLUENT WATER LIMITATIONS

Parameter	
Hardness	500 mg/L CaCO <sub>3</sub>
Iron	0.2 mg/L
Manganese	0.05 mg/L

