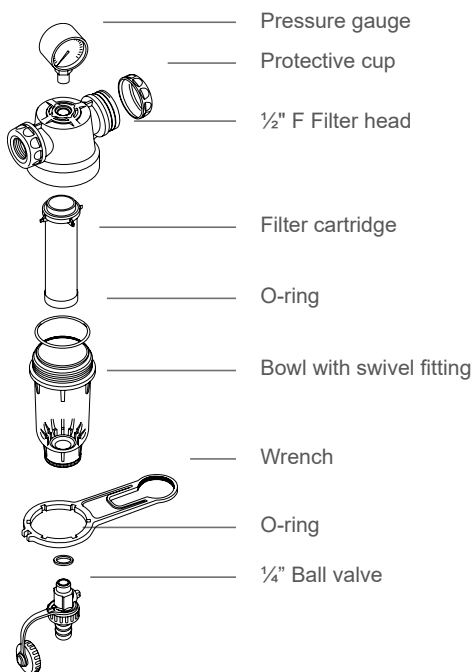


COLD WATER SELF-CLEANING FILTER

WITH 1/2" & 3/4" CONNECTION UNITS

Self-cleaning filter is designed for high-level cold-water filtration for industrial and household application, by protecting boilers, washing machine, dishwashers etc, as well as drinking water treatment. The filter head, made of reinforced material, ensures the high resistance to burst and fatigue.



KEY FEATURES

- Fits the most common pipes sizes
- Suitable for all cold water
- Safe for drinking water
- Simple drain installation thanks to swivel fitting in the bowl
- Reliable and versatile, works in the most challenging
- Fast and easy maintenance

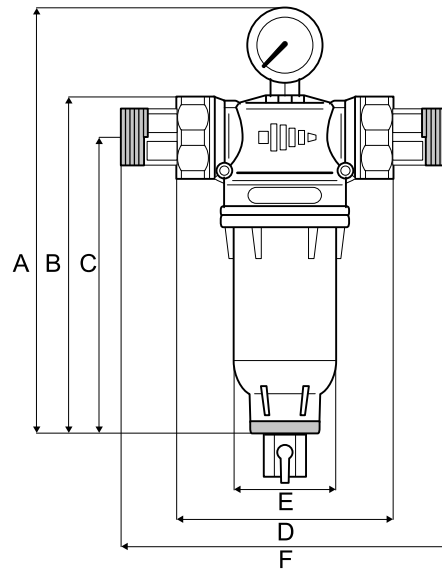
made in 
ITALY



DATA SHEET

Head	Reinforced PA* 66
Clamping	Threaded
Bowl	SAN**
O-ring	NBR 70
Max working pressure	8 bar
Working temperature	From 5°C (41°F) to 45°C (113°F)
Filtration	Sediments
Cartridge	SS** AISI 304
Cartridge type	Washable
Maintenance	Quarterly
Package	Filter, cartridge, pressure gauge, service wrench, ball valve, 1/2" M and 3/4" M connection units

*Nylon
** Styrene acrylonitrile



Code	IN/OUT threads	Filtration rating, μ	Flow rate, l/h	A	B	Y	D	E	F
FFNS2P1522	1/2"	250	1 900	20.5 cm	15.5 cm	13.8 cm	8.4 cm	4.9 cm	14.4 cm
	3/4"		2 200						15.0 cm

Code	Description	Unit packing dimensions, m			Pieces in box	Pieces on pallet
		Length	Width	Height		
FFNS2P1522	Self-Cleaning SAN filter with 304 stainless steel mesh cartridges with 1/2" FM and 3/4" M connection	0.29	0.07	0.135	15	540