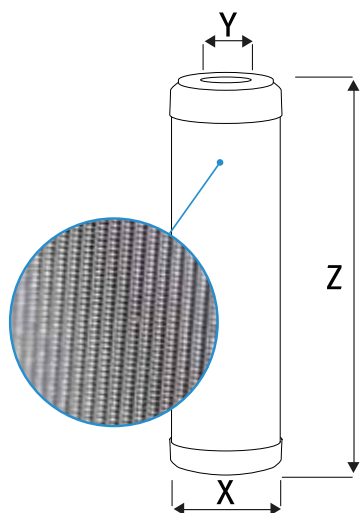


# CXPL INOX 316 WASHABLE CARTRIDGE



CXPL INOX 316 water washable cartridge is designed to protect boilers, by filtering sand, scale, rust.  
Versatile industrial use includes protecting water pumps, irrigation systems, car wash services, filtration of water in cosmetics and food industries, hot water treatment from thermal power plants.



### KEY FEATURES

- Treatment of highly corrosive or dense liquids
- Resistant to extreme washings and still be reused thanks to SS net
- Hot water treatment up to 80 °C
- Uniform flow and low pressure drop due to cylindrical shape
- Suitable for drinking water treatment
- Complies with DM25 standards (ITALY)

made in   
**ITALY**



<b>Model</b>	CXRL
<b>Filtration</b>	Sediments
<b>Filtering medium</b>	Stainless steel AISI 316
<b>Inter core</b>	INOX AISI 316
<b>Valves</b>	Polypropylene
<b>Gasket</b>	Elastomer
<b>Connection</b>	DOE
<b>Working temperature</b>	From 4°C (39°F) to 80°C (176°F)
<b>Cartridge type</b>	Washable
<b>Maintenance</b>	Quarterly
<b>Duration</b>	24 months

Code	Size	Filtration rating, µ	Flow rate, l/h	Z	X	Y	Pieces in box
FCXPLD0075	9" 3/4	60	3 300	24.8 cm	7.0 cm	2.8 cm	24