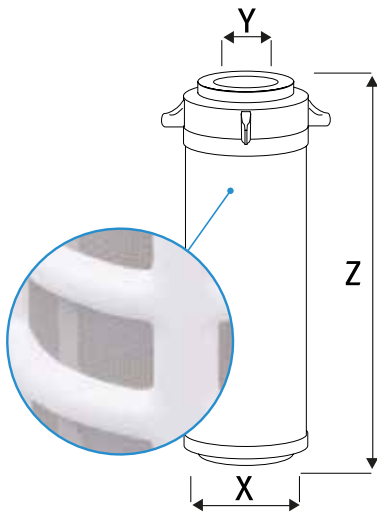


CLR X FILTER CARTRIDGE WITH STAINLESS STEEL NET



The CLR X filter cartridge with a stainless steel 304 net polyamide is designed to protect boilers, filtering sand, scale, rust.

Versatile industrial use includes protecting water pumps, boilers, irrigation, cooling systems and car wash services.



KEY FEATURES

- Resistant to extreme washings and still be reused thanks to SS filter medium
- Hot water treatment up to 60°C
- Uniform flow and low pressure drop due to cylindrical shape
- High pressure resistance thanks to the honeycomb structure
- Suitable for drinking water treatment
- Complies with DM25 standards (ITALY)
- Produced without any glue or sealant addition

made in 
ITALY



Model	CLR X
Filtration	Sediments
Filtering medium	Stainless steel ASI 304
External armouring	PA-R*
O-ring	NBR 70 + Rubber
Connection	DOE
Working temperature	From 4°C (39°F) to 60°C (140°F)
Cartridge type	Washable
Maintenance	Quarterly
Duration	24 months

* Reinforced Nylon

Code	Filtration rating, µ	Flow rate, l/h	Z	X	Y	Pieces in box
FCLR X00005	80	1 900				
FCLR X00010	150	2 200				
FCLR X00015	250	2 500	10.1 cm	2.7 cm	2.0 cm	15
FCLR X00016	400	2 500				