

20FT.CONTAINERIZED MO4 RO WITH PREFILTRATION

APPLICATIONS

production of process water and water for irrigation in the agricultural sector.
Water treatment for local drinking water supply of settlements and enterprises.

KEY FEATURES:

- reduction of capital costs for building construction and utilities;
- quick installation and start
- up of the equipment on site;
- the ability to quickly transport and install the water treatment module at a new location.



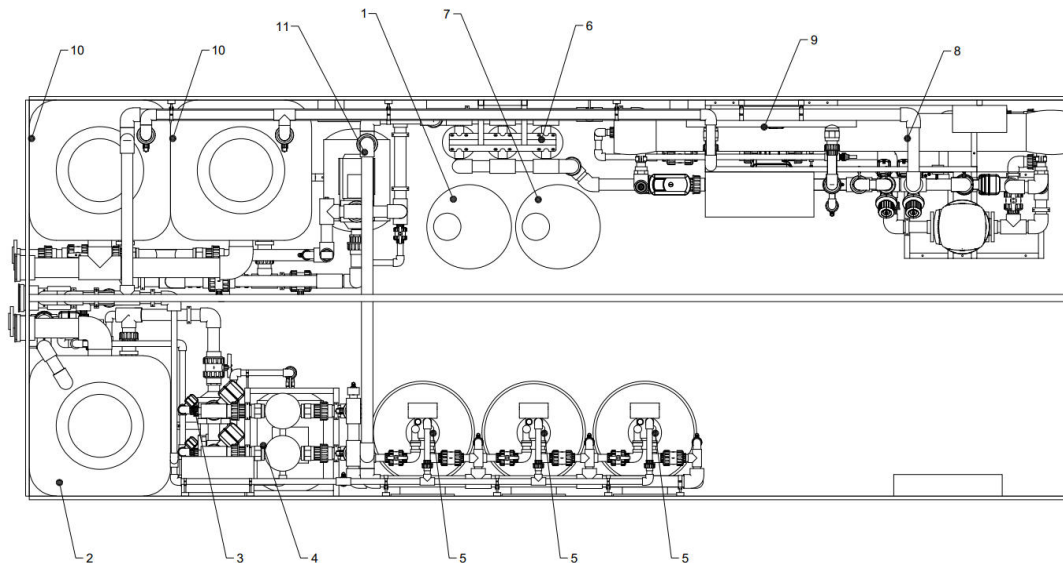
COMPLETE SET OF INSTALLATIONS

Name of the equipment	Unit of measure	Model of the system
		MO4KMST
Rated capacity of the plant for pure water	m ³ /day	100
Hypochlorite dosing station	pcs	1
Disc filter	pcs	2
Multimedia filter	pcs	3
Bisulfite (MBS) dosing station	pcs	1
Reverse osmosis system	pcs	1
FilmTec reverse osmosis membranes	pcs	4
Control panel with controller and power unit	pcs	1
Set of instrumentation and control devices	pcs	1
Set of fittings, pipe piping, electrical materials, etc.	pcs	1
Insulated and coated 20ft.container with air-condition and lightening	pcs	1

TECHNICAL CHARACTERISTICS OF THE PLANTS

Name of the equipment	Unit of measure	Model of the mobile unit "MODUL-RO" MO4KMST
Rated capacity for pure water	m ³ /day	100
Rated capacity of the membrane unit	m ³ /h	4-5
Raw water consumption	m ³ /day	130-140
Raw water pressure	bar	0,5 - 5,0
Permeate pressure	bar	0,5
Installed capacity of electrical equipment	kVA	6
Electricity consumption		3 phases, 380V, 50Hz
Dimensions of the modular unit (LxDxH)	m	2,5 x 6,1 x 2,6
Connection of the unit to pipelines:		
Raw water		Flange DU 50
Pure water		Flange DU 50
Waste water		Pipe socket for 110 mm pipe
Overflows		2 overflows for 110 mm pipe
Electrical cable supply		PG24

EQUIPMENT LAYOUT



No	Name	Technical characteristics	Q-ty. pcs.
1	Chemical dosing station	Ecosoft D100660	1
2	Feed water tank	PE 1000 L	1
3	Pump	15HM03S22T	1
4	Disc sedimental filter	ARKAL 2", 130 µm	2
5	Backwash sand filter	Ecosoft 2162CE125GS	3
6	Cartridge sedimental filter	BB20, 5 µm	3
7	Antiscalant dosing station	Ecosoft D100660	1
8	Reverse osmosis sytem	Ecosoft MO4	1
9	UV lamp	Ecosoft UV EB45, 2", 10 m3/hour	1
10	Permeate tank	PE 1000 L	2
11	Pump	15HM03S22T	1

DIMENSIONS

